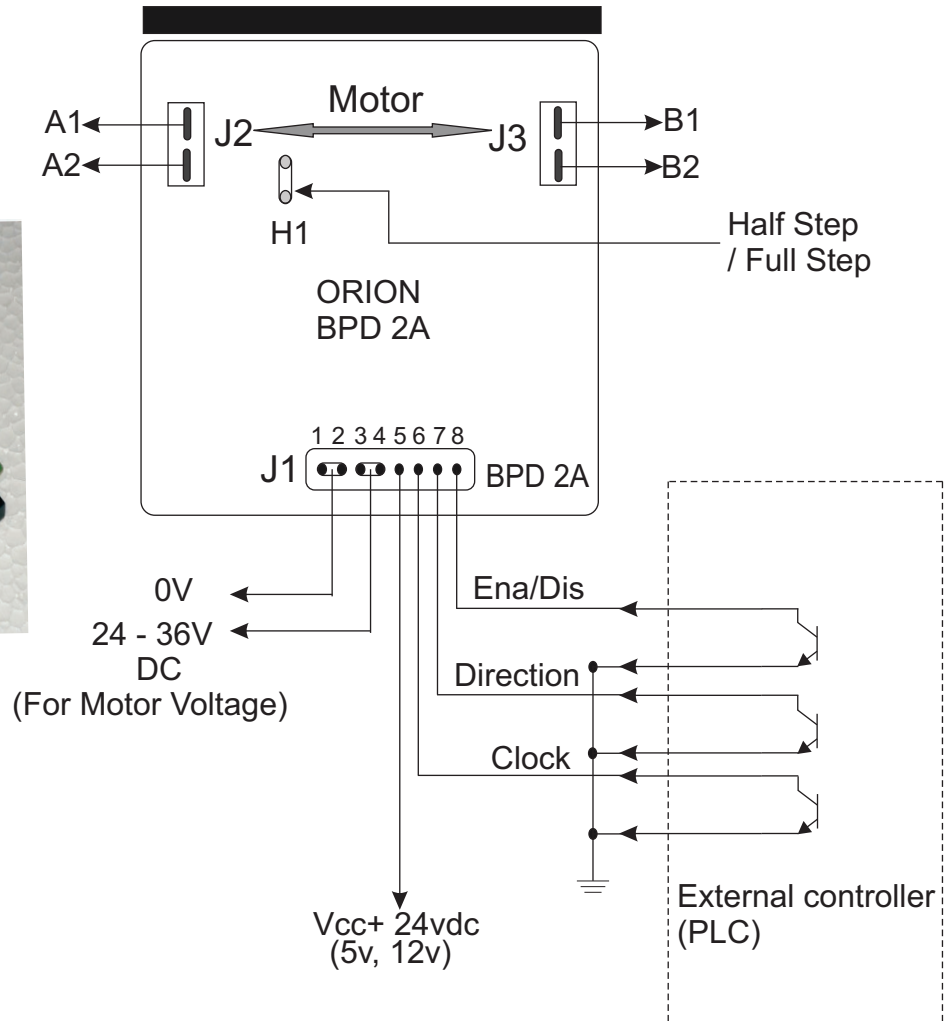


CONNECTION DETAILS

Stepper Motor Drive BPD-2A

TOP VIEW



**400 Hz clock corresponds to 60 RPM.
Please remember that for higher speeds
it is essential to provide acceleration**

**Type: Bipolar
External signals NPN
Supply 24 to 36 VDC
Set Current: 2 Amp/ph
Current per phase: 2 Amp/ph max**